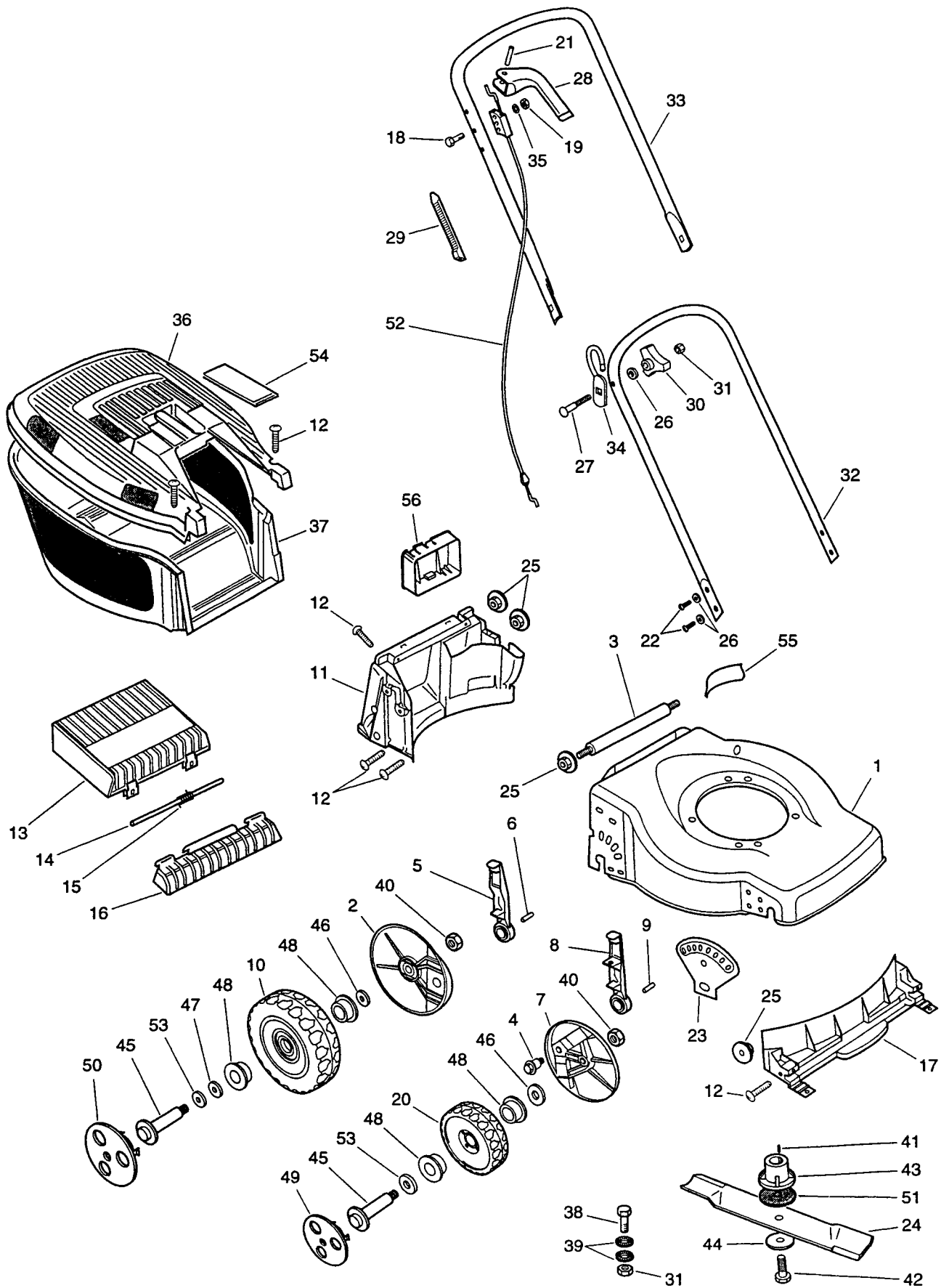


# Lawn Mac Model ML 533



---

## Lawn Mac Model ML 533

---

Item	Part No.	Description
1.	4919603510	Deck
2.	2949619501	Wheel Lever
3.	4919607008	Reinforcement
4.	2949609208	Shoulder Bolt
5.	4929602301	Spring Lever
6.	4919602408	Key
7.	2949619401	Wheel Lever
8.	4929602101	Spring Lever
9.	4919602508	Key
10.	2949619301	Wheel
11.	4919600201	Rear Baffle
12.	2949907908	Screw
13.	4919605710	Rear Flap
14.	4919473008	Shaft for Rear Flap
15.	2949605808	Spring for Rear Flap
16.	4919605610	Rear Flap Fixing
17.	4919600101	Front Baffle
18.	2991128708	Screw
19.	2996001508	Nut
20.	4919619201	Wheel
21.	2949526700	Key
22.	2990043108	Bolt
23.	4919601908	Sector
24.	2949000500	Blade
25.	2949609108	Nut
26.	2997001208	Washer
27.	2949381308	Log screw
28.	2949526801	Lever OPC
29.	2949113801	Cable Holder
30.	2949381201	Knob
31.	2996001708	Nut
32.	4919600701	Lower Handle Tube
33.	4919618401	Upper Handle Tube
34.	2949527101	Rope Clamp
35.	2997001008	Washer
36.	4919606001	Upper Grass Box
37.	4919606101	Lower Grass Box
38.	2990018208	Bolt
39.	2992013700	Grip Washer
40.	2949189008	Nut
41.	2949085300	Key
42.	2949184908	Blade Bolt
43.	2949618000	Blade Mount
44.	2949337900	Disk Washer
45.	2949389808	Wheel Bolt
46.	4919011508	Washer
47.	2949619008	Washer
48.	2949388800	Ball Bearing
49.	4919608810	Hub Cap
50.	4919608910	Hub Cap
51.	2949337800	Fibre Ring
52.	2949610400	OPC Cable
53.	2949329400	Disk Washer
54.	2949615001	Cap
55.	4919600401	Transmission Cap
56.	4919600501	Battery Holder